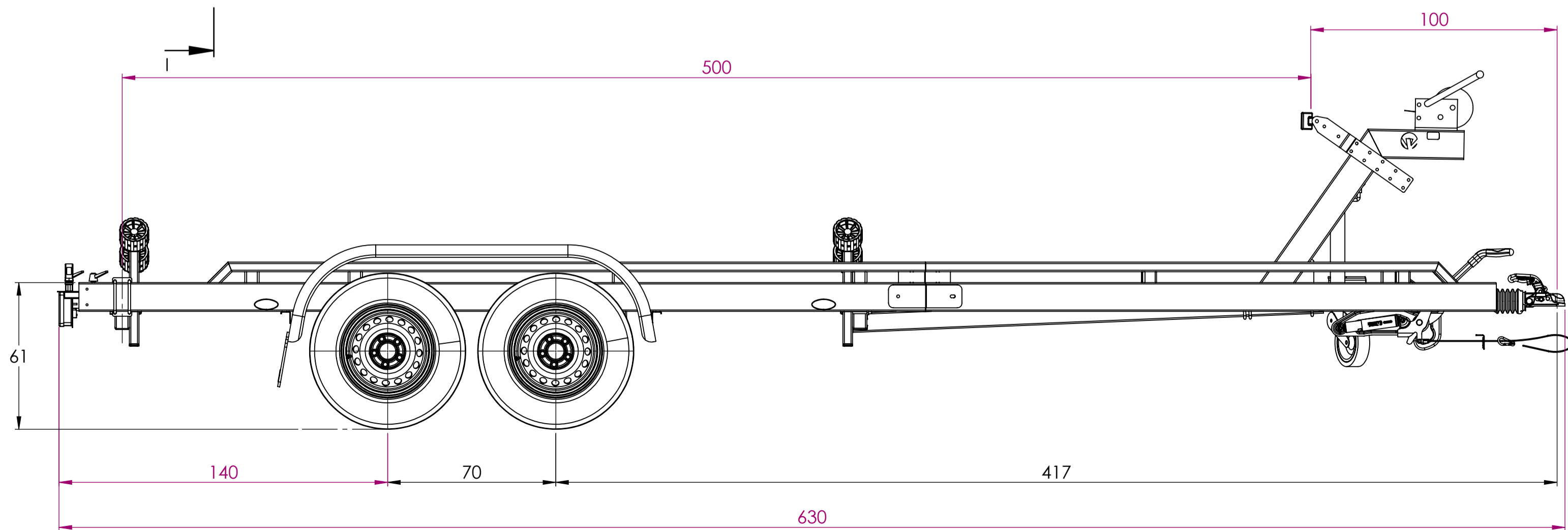


SECTION I-I



BOATTRAILER 630 MR

2x 1350/1500/1800 kg

<small>©Vlemmix Trailers. All rights reserved. This drawing and its contents may not be made accessible and/or duplicated for others without permission.</small>	
TOLERANCE:	DRAWN BY: BV
ISO 2768-MK	DATE: 6-5-2026
PROJECTION:	DESCRIPTION:
UNIT: mm	DRAWING NO.:
SCALE: 1:16	



BT-6.3-MR		REVISION: -	SIZE: A1
			SHEET: 1/10