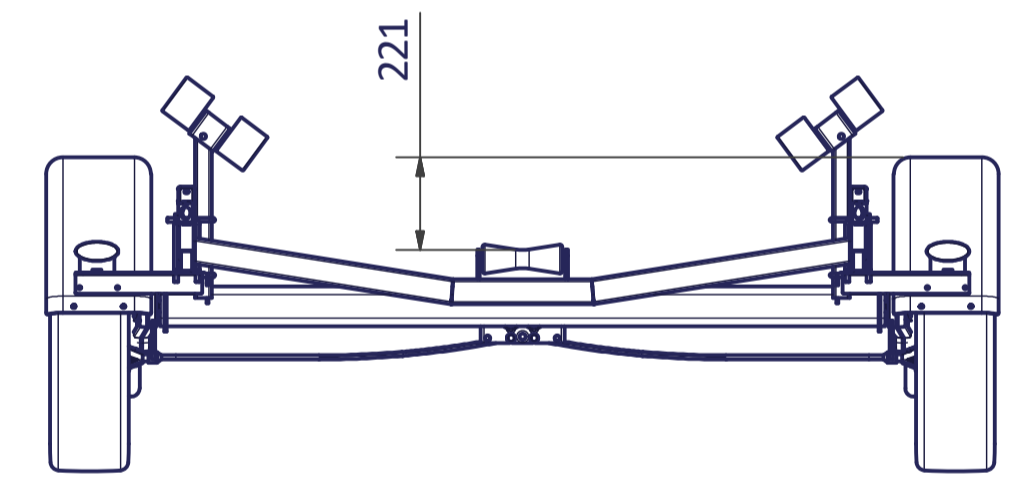
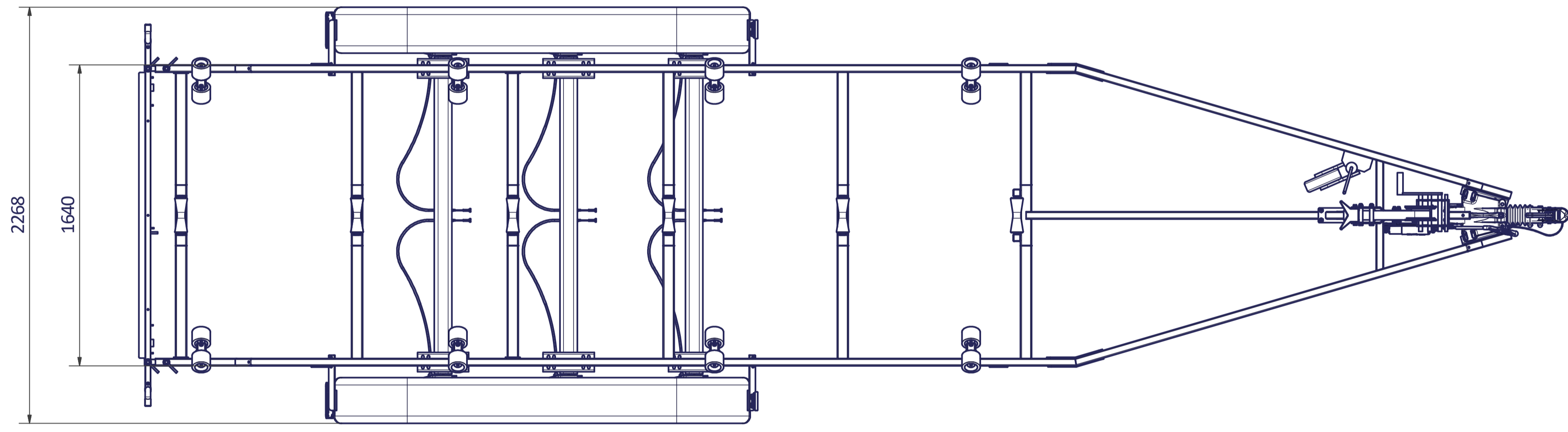
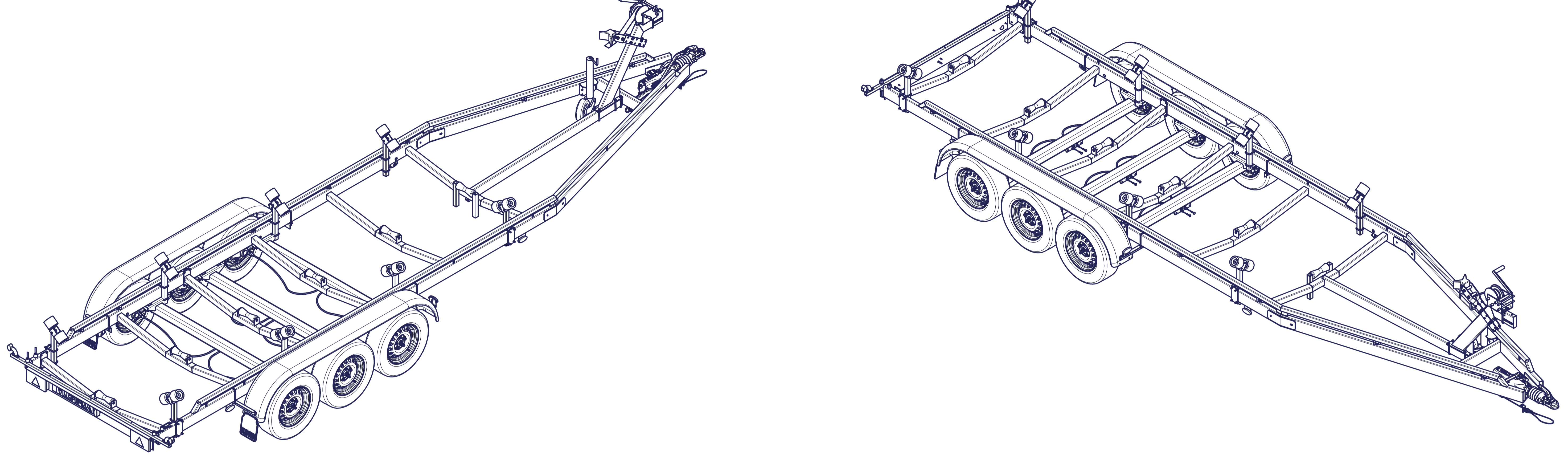
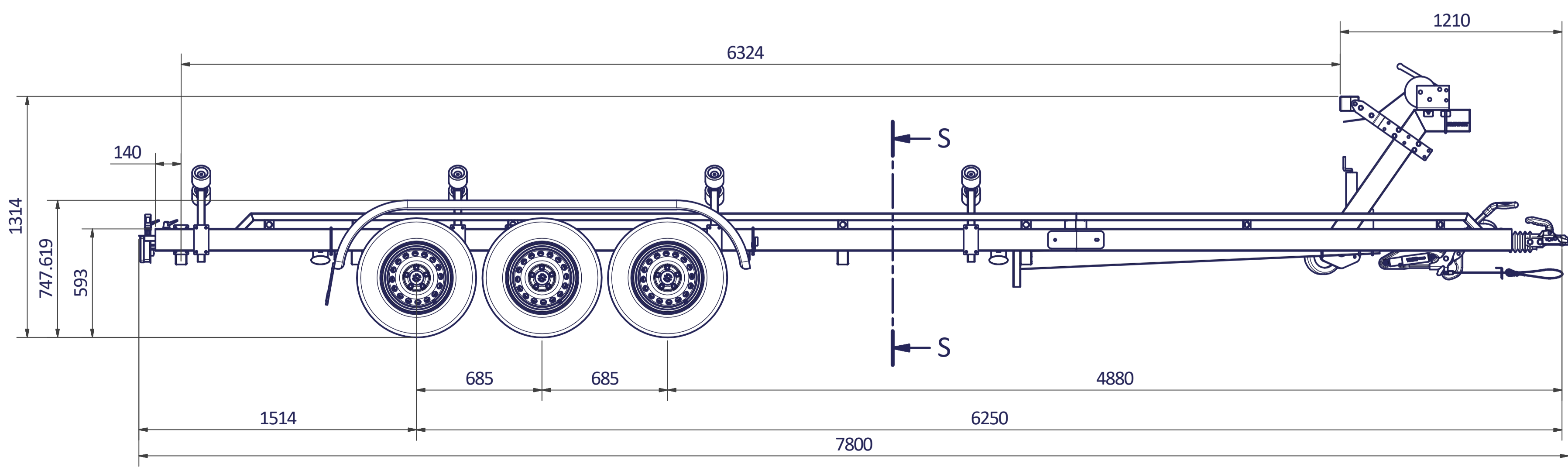


12 11 10 9 8 7 6 5 4 3 2 1



S-S



# BOOTTRAILER 780

3x AS 1350/1500/1800 kg

Surface treatment: ZINK PLATED	
QTY:	© VLEMMIX AANHANGWAGENS This drawing and its contents may not be made accessible and/or duplicated for others without permission. All rights reserved.
TOLERANCE:	UNIT: DRAWN BY: J.H.
ISO 2768-MK	mm DATE: 5-7-2021
PROJECT/DRAWING NO.: <b>BT7.8-041-00</b>	
SCALE: <b>1:18</b>	DESCRIPTION: <b>BOOTTRAILER 7.8 M</b>
SHEET: 2	
SHEETS: 2	

A1

12 11 10 9 8 7 6 5 4 3 2 1