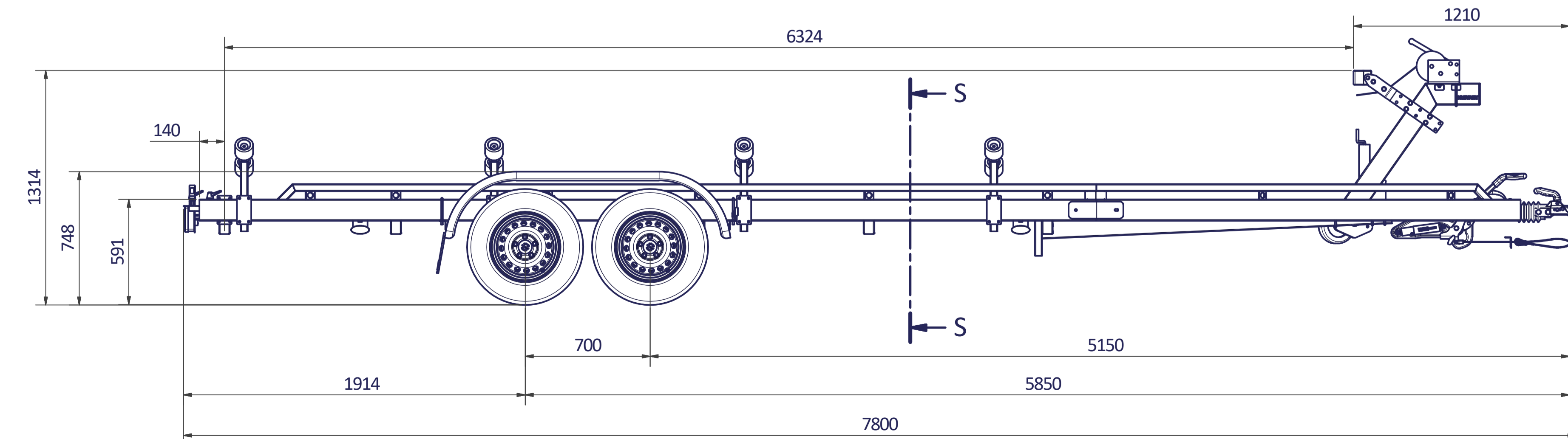
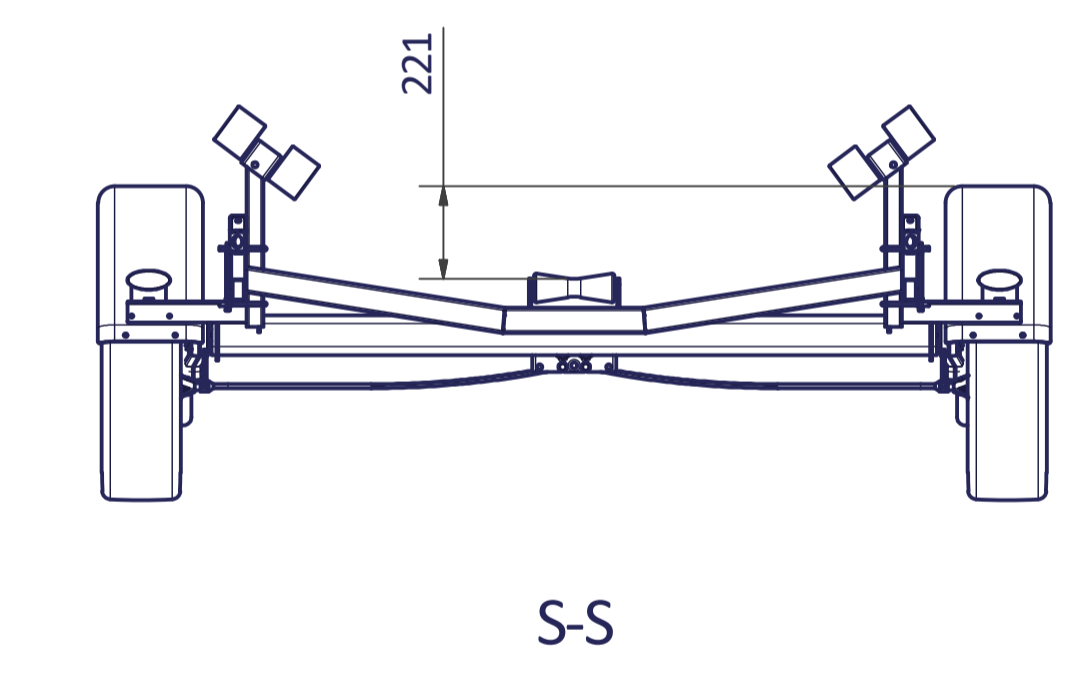
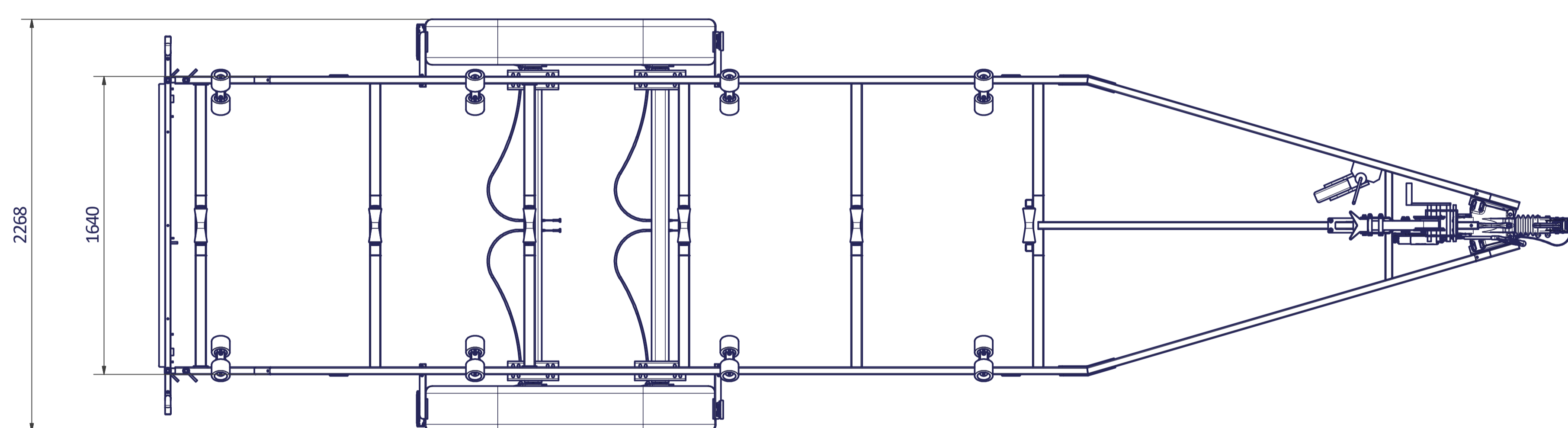
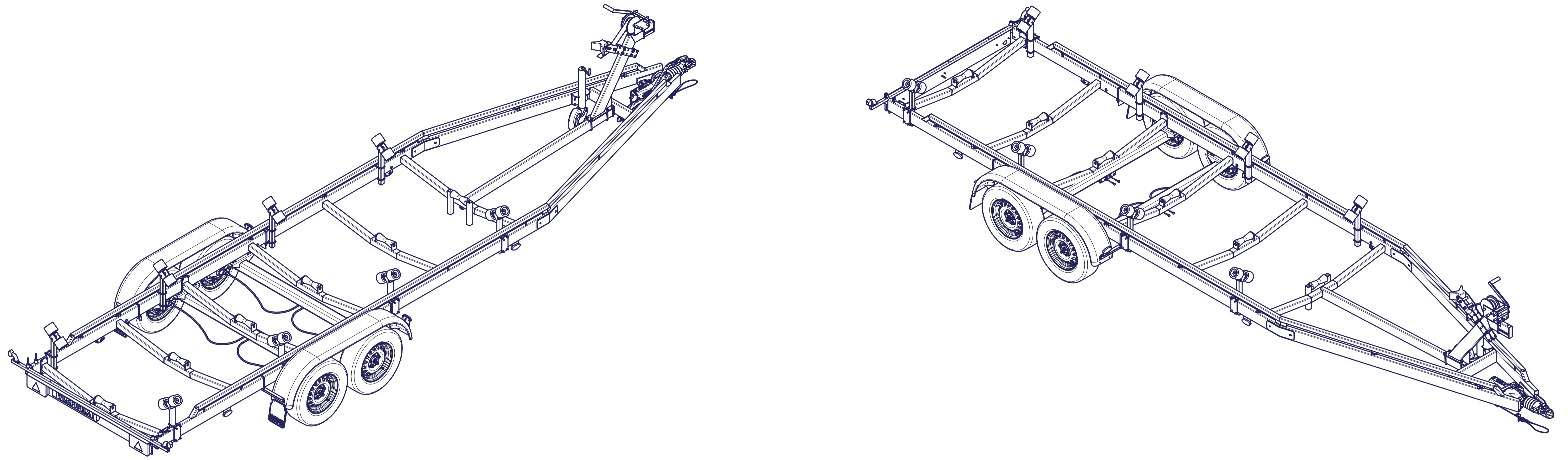


12 11 10 9 8 7 6 5 4 3 2 1



BOOTTRAILER 780

2x AS 1350/1500/1800 kg

Surface treatment: ZINK PLATED	
QTY:	© VLEMMIX AANHANGWAGENS This drawing and its contents may not be made accessible and/or duplicated for others without permission. All rights reserved.
TOLERANCE:	UNIT: DRAWN BY: J.H.
ISO 2768-MK	mm DATE: 5-7-2021
PROJECT/DRAWING NO.: BT7.8-041-00	
SCALE:	DESCRIPTION: BOOTTRAILER 7.8 M
A1	1:18
SHEET:	1
SHEETS:	2

12 11 10 9 8 7 6 5 4 3 2 1