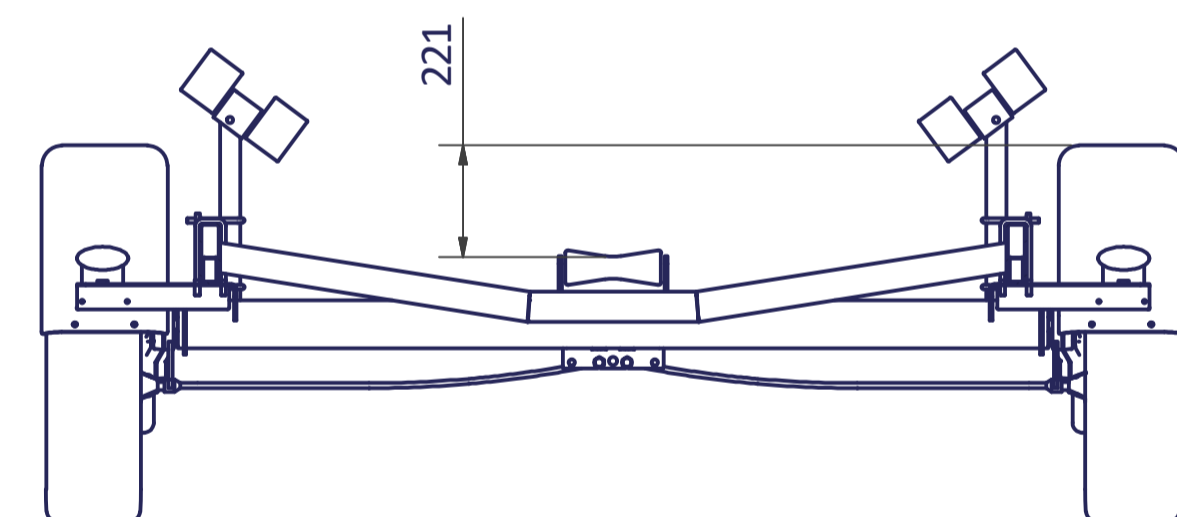
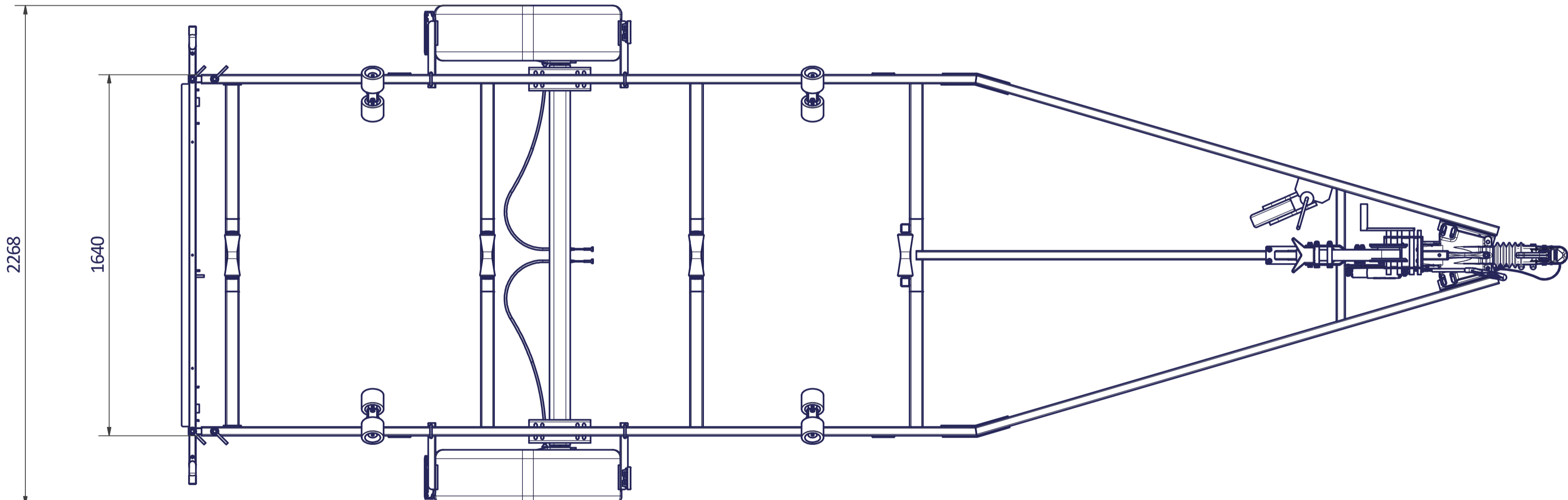
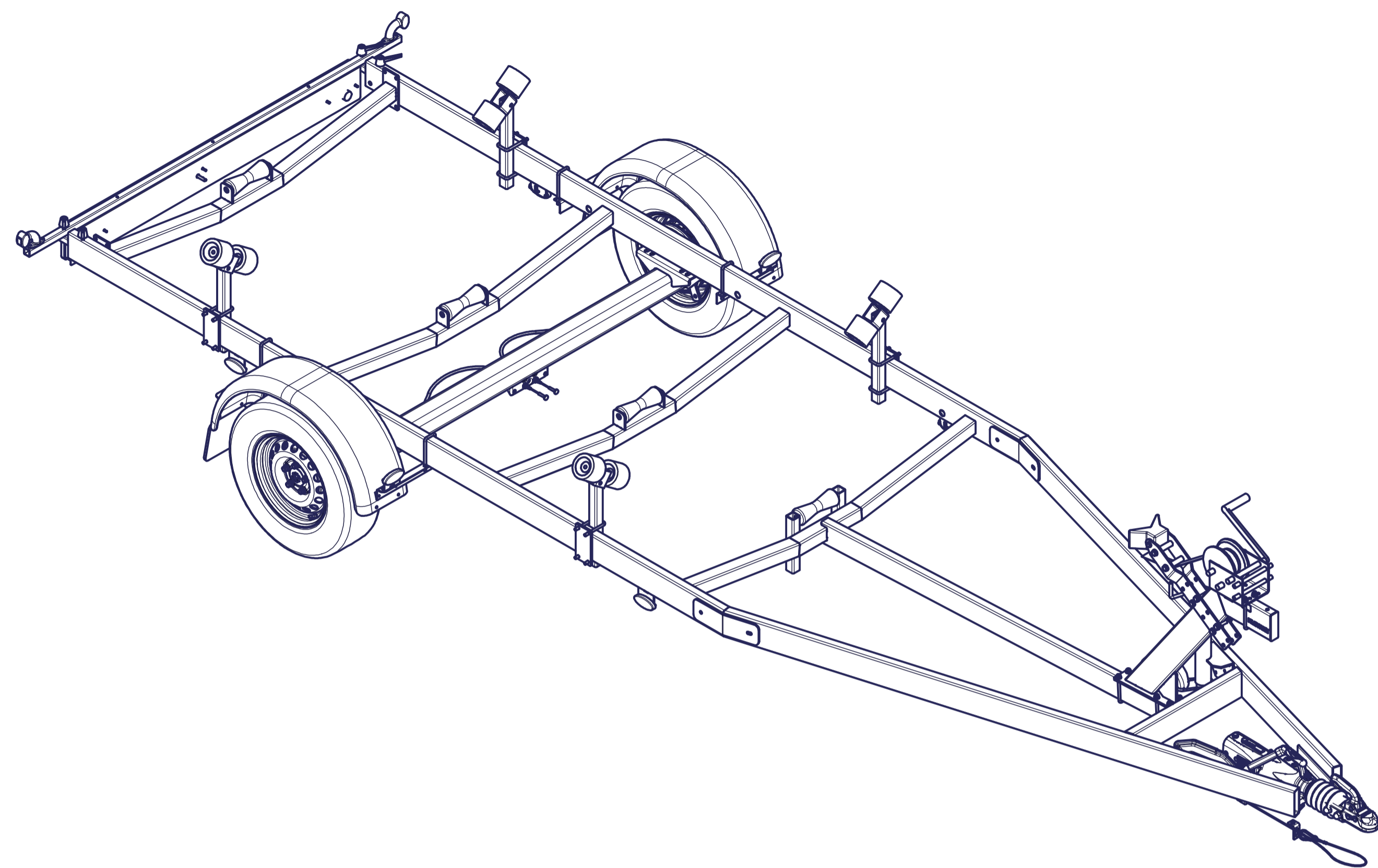
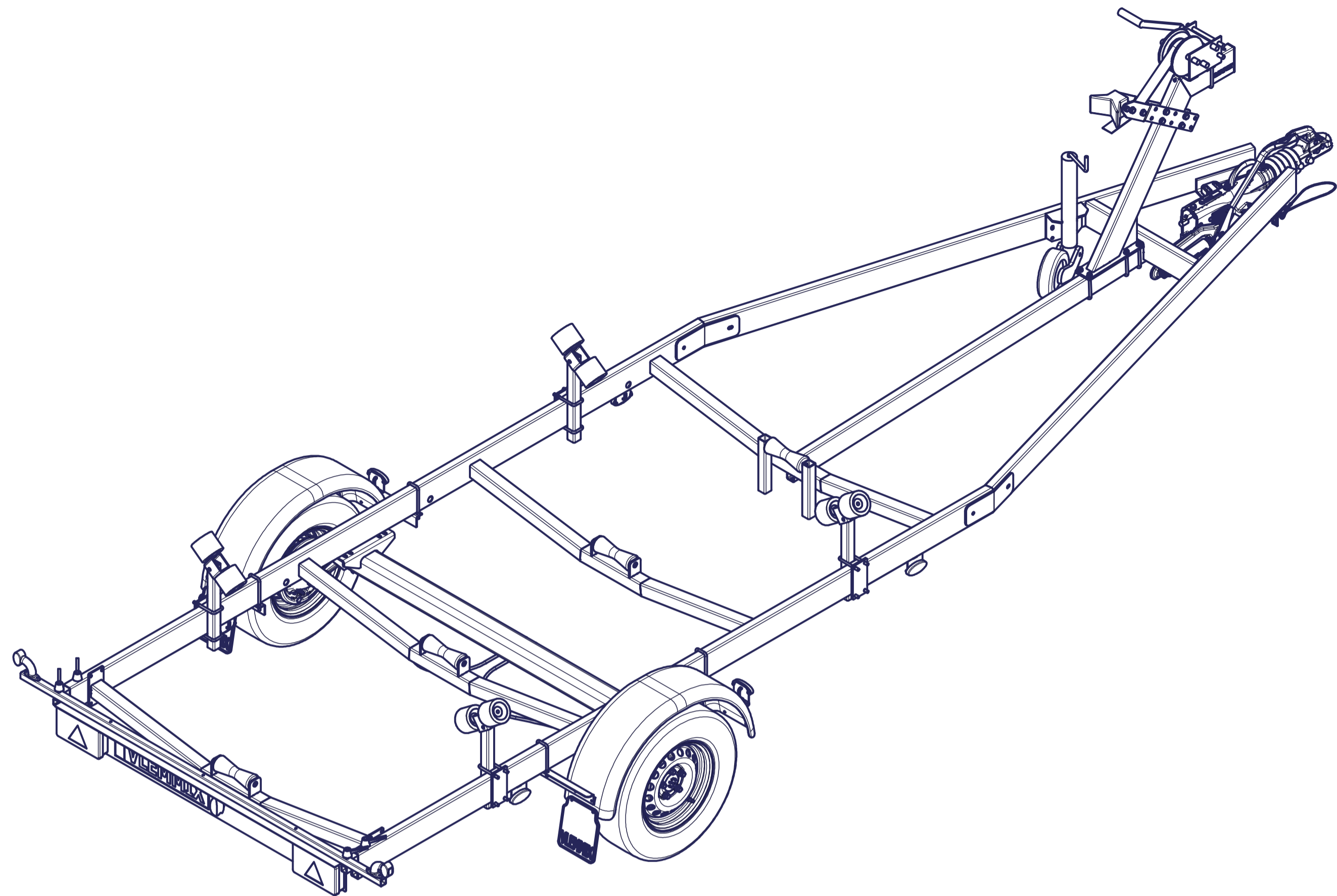
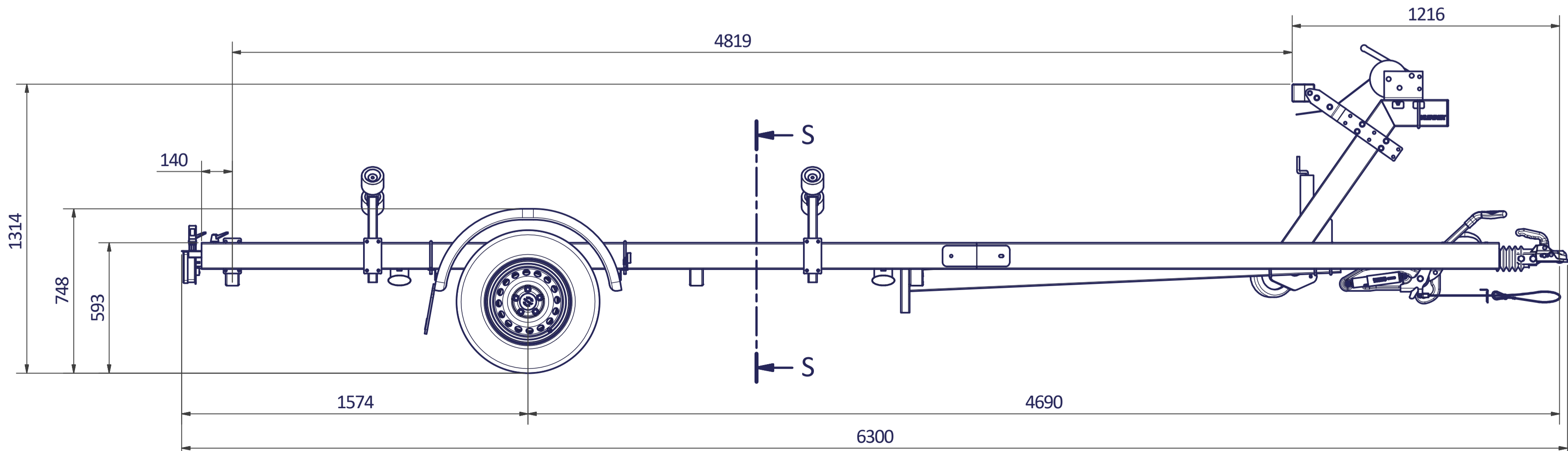


12 11 10 9 8 7 6 5 4 3 2 1

H
G
F
E
D
C
B
A



S-S



BOOTTRAILER 630

1x AS 1350/1500 kg

Surface treatment: ZINK PLATED	
QTY:	© VLEMMIX AANHANGWAGENS This drawing and its contents may not be made accessible and/or duplicated for others without permission. All rights reserved.
TOLERANCE:	UNIT: DRAWN BY: J.H.
ISO 2768-MK	mm DATE: 22-9-2021
PROJECT/DRAWING NO.: BT6.3-011-00	
SCALE:	DESCRIPTION: BOOTTRAILER 6.3 M
SHEET: 1	SHEETS: 1

A1

1:15

12 11 10 9 8 7 6 5 4 3 2 1

