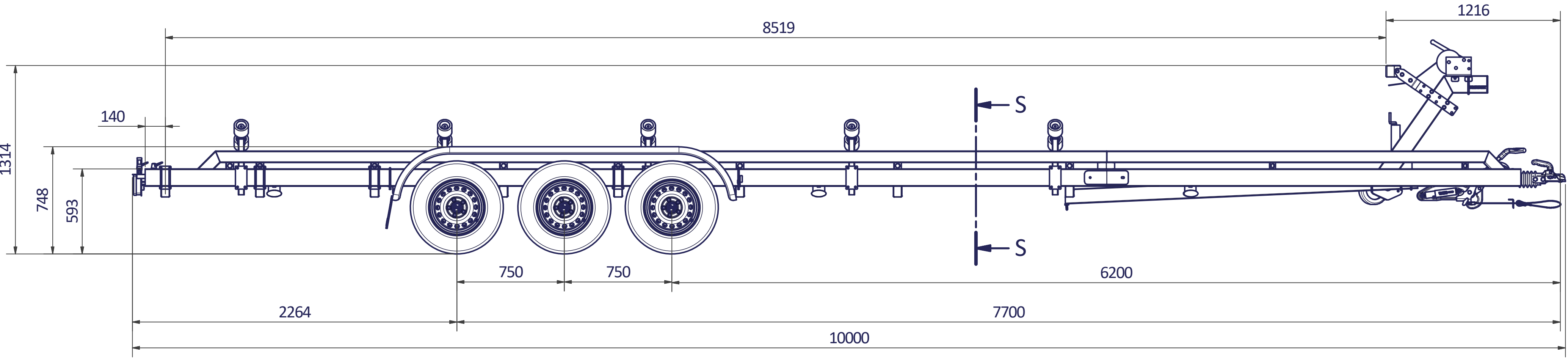


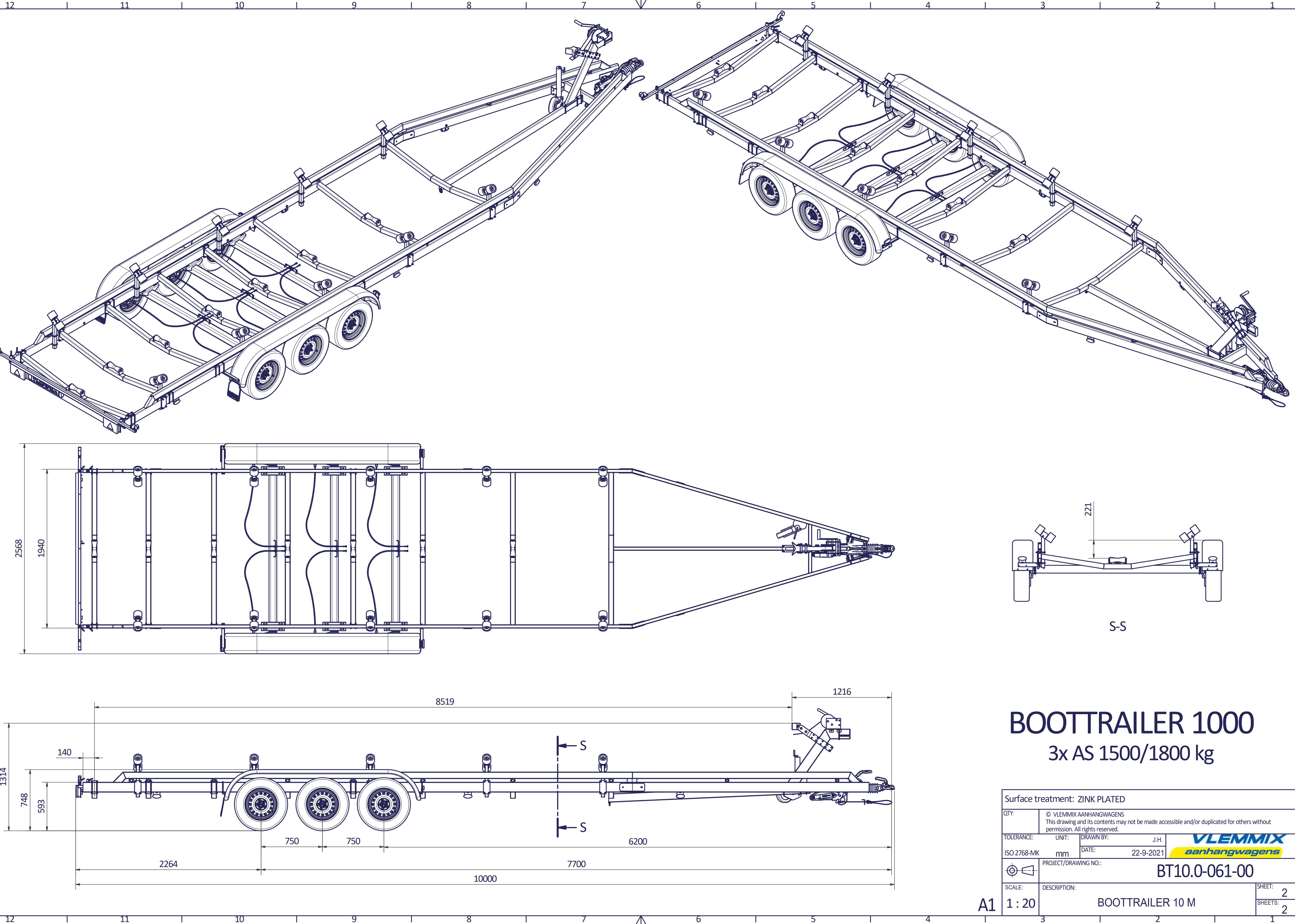
S-S



BOOTTRAILER 1000

3x AS 1500/1800 kg

Surface treatment: ZINK PLATED	
QTY:	© VLEMMIX AANHANGWAGENS This drawing and its contents may not be made accessible and/or duplicated for others without permission. All rights reserved.
TOLERANCE:	UNIT: DRAWN BY: J.H.
ISO 2768-MK	mm DATE: 22-9-2021
PROJECT/DRAWING NO.: BT10.0-061-00	
SCALE:	DESCRIPTION: BOOTTRAILER 10 M
A1	1 : 20
SHEET:	2
SHEETS:	2



12

11

10

9

8

7

6

5

4

3

2

1

H

G

F

E

D

C

B

A

2568

1940

221

1314

748

593

140

8519

1216

750

750

6200

2264

7700

10000

A1

1 : 20

BOOTTRAILER 10 M

SHEET:

2

SHEETS:

2